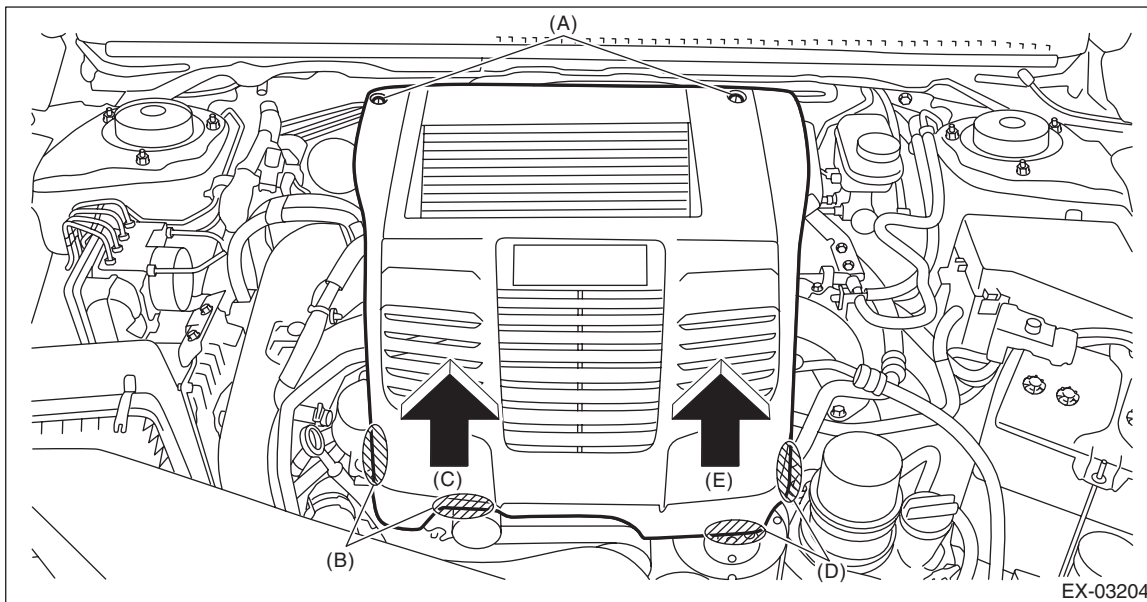


### 2. Starter

#### A: REMOVAL

1) Remove the collector cover.

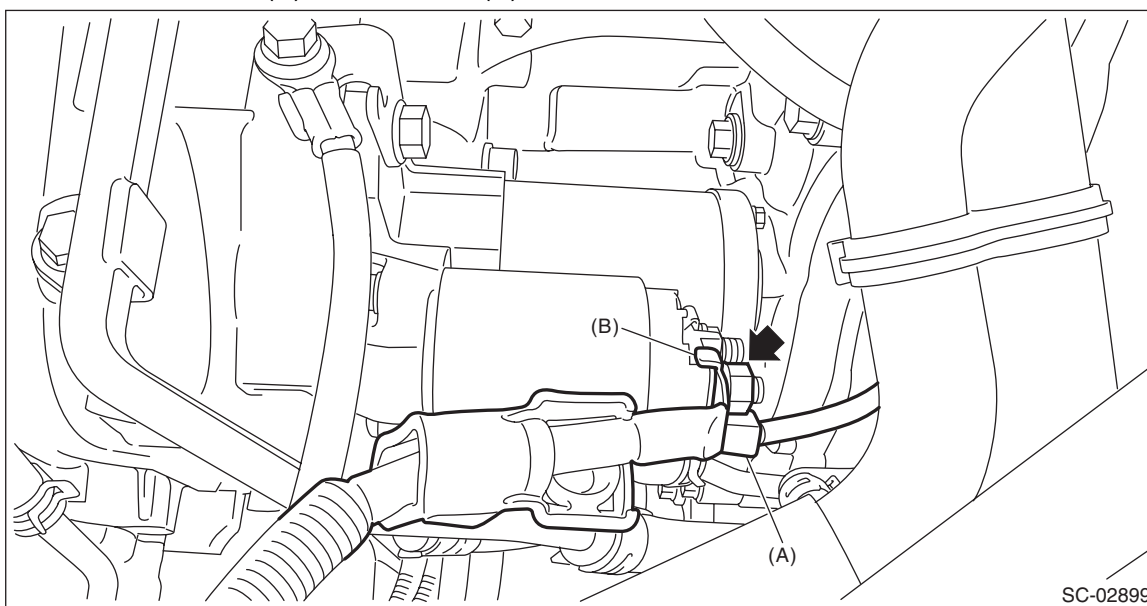
- (1) Remove the clips (A).
- (2) Hold the shaded area (B) by hand and carefully pull the RH side (C) upward.
- (3) Hold the shaded area (D) by hand and carefully pull the LH side (E) upward.



2) Disconnect the ground terminal from battery sensor. <Ref. to NT-5, BATTERY, NOTE, Note.>

3) Remove the intercooler. <Ref. to IN(w/o STI)-38, REMOVAL, Intercooler.>

4) Disconnect the connector (A) and terminal (B) from starter.



5) Lift up the vehicle.

## Starter

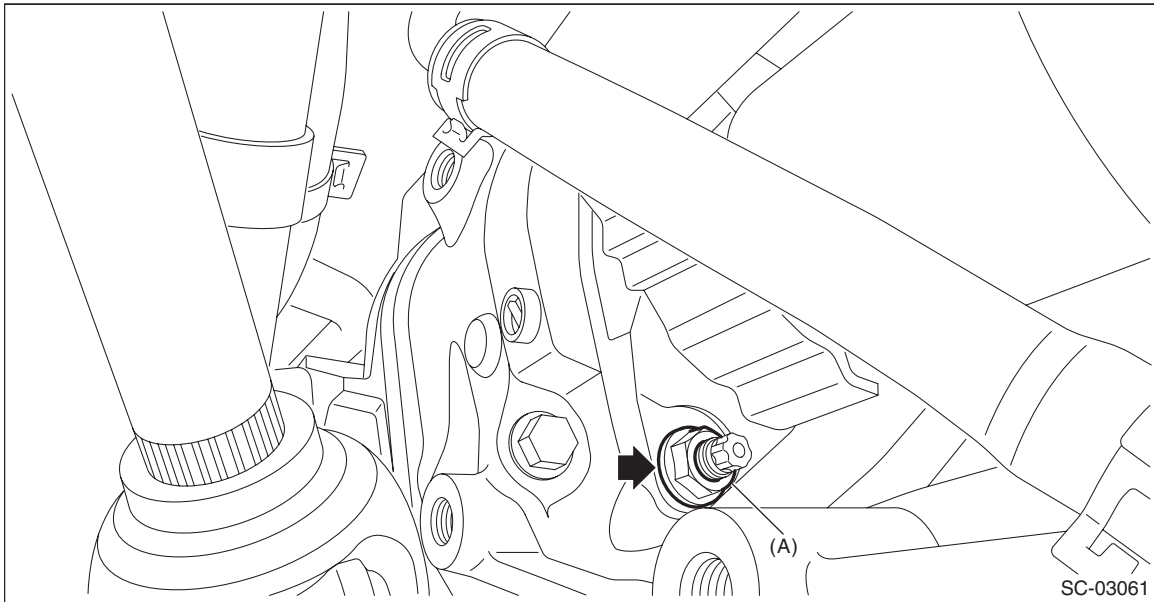
### STARTING/CHARGING SYSTEMS

---

6) Remove the nut at the bottom of the starter.

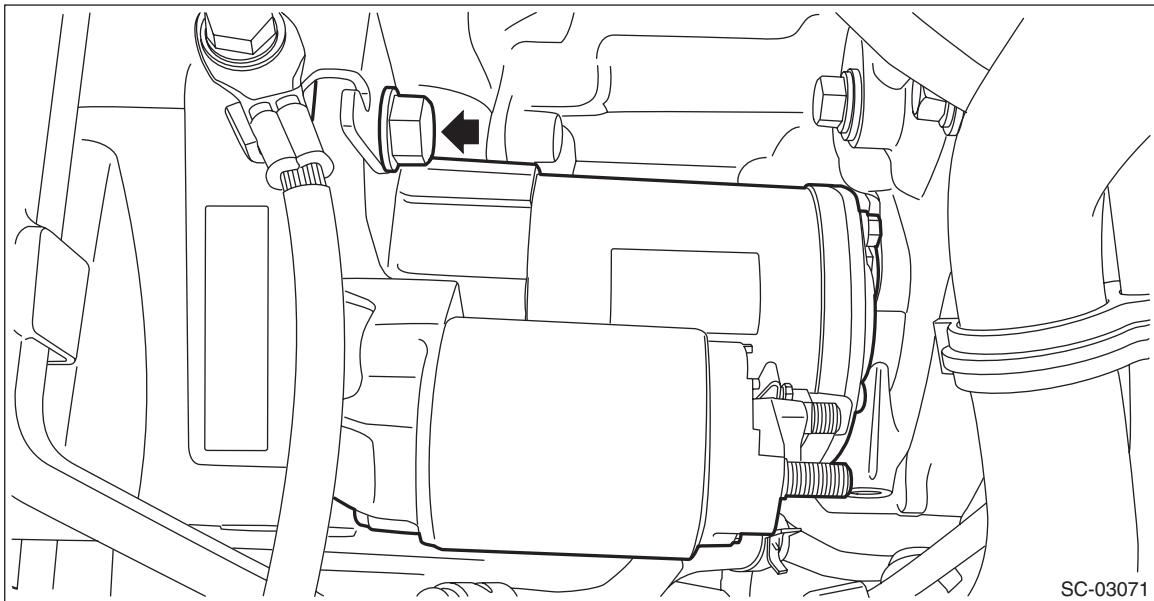
**NOTE:**

For the MT model, a bolt is used to the location (A).



7) Lower the vehicle.

8) Remove the bolt at the top of the starter and remove the starter from the transmission.

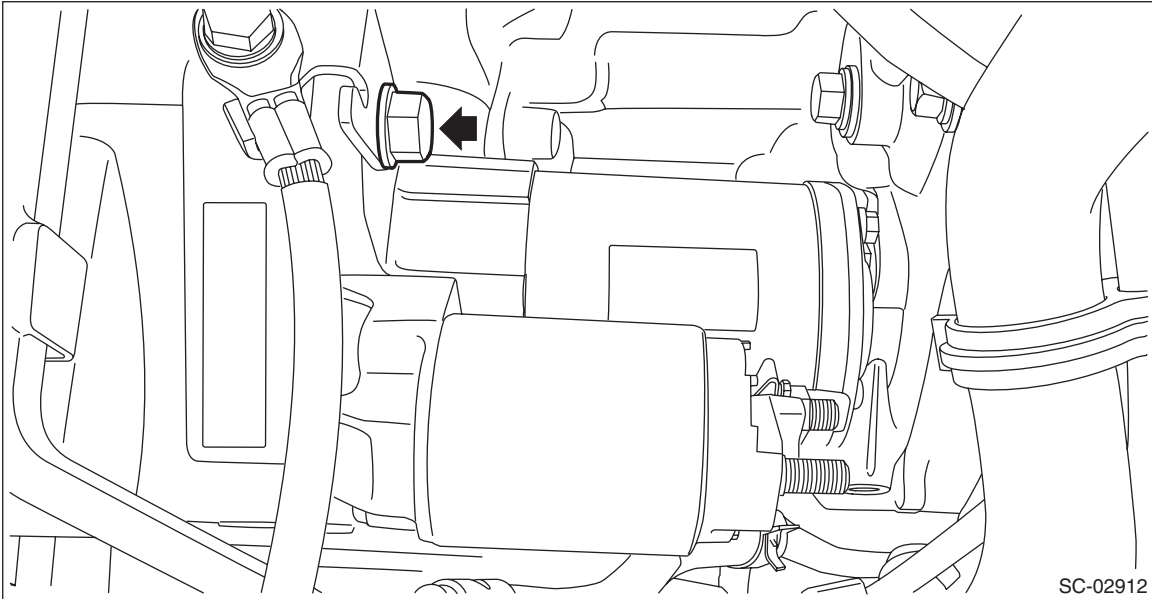


### B: INSTALLATION

Install in the reverse order of removal.

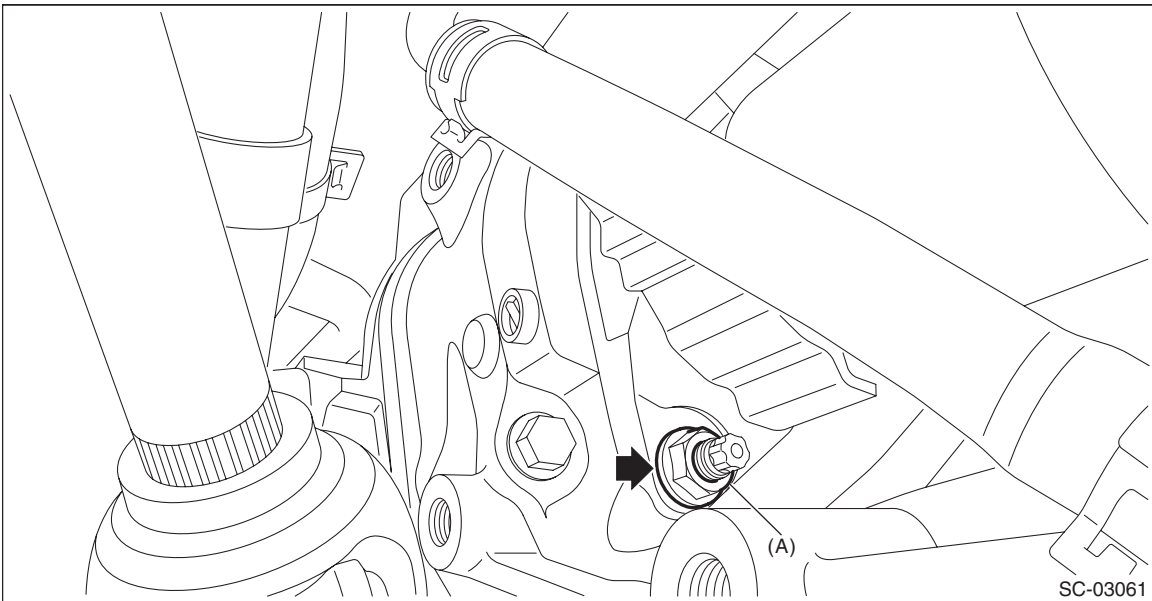
**Tightening torque:**

**50 N·m (5.1 kgf·m, 36.9 ft·lb)**



**NOTE:**

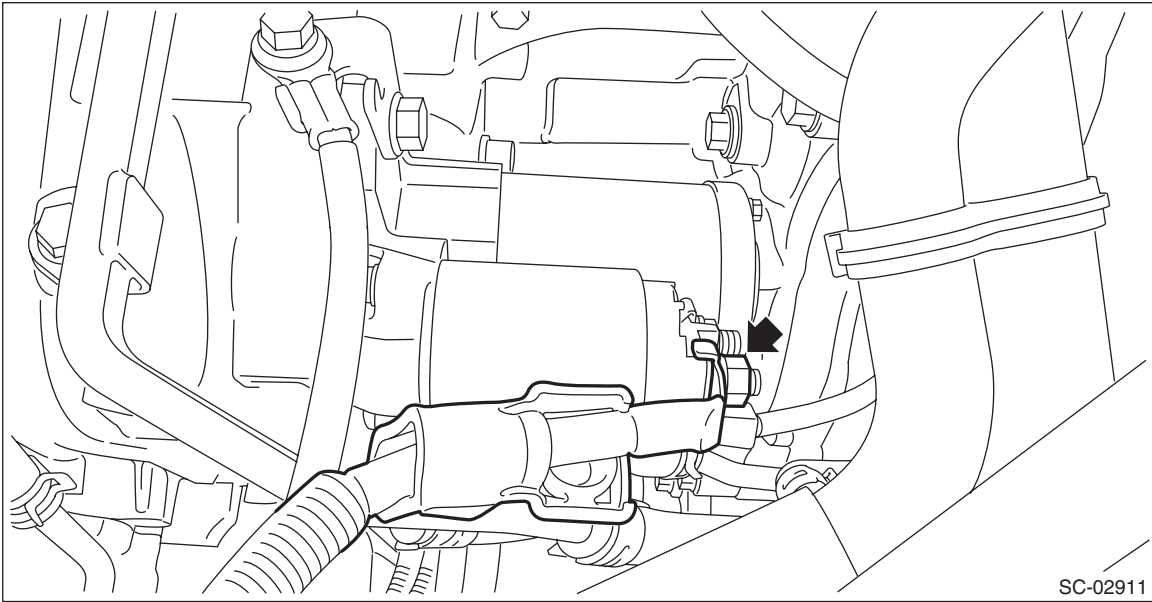
For the MT model, a bolt is used to the location (A).



# Starter

## STARTING/CHARGING SYSTEMS

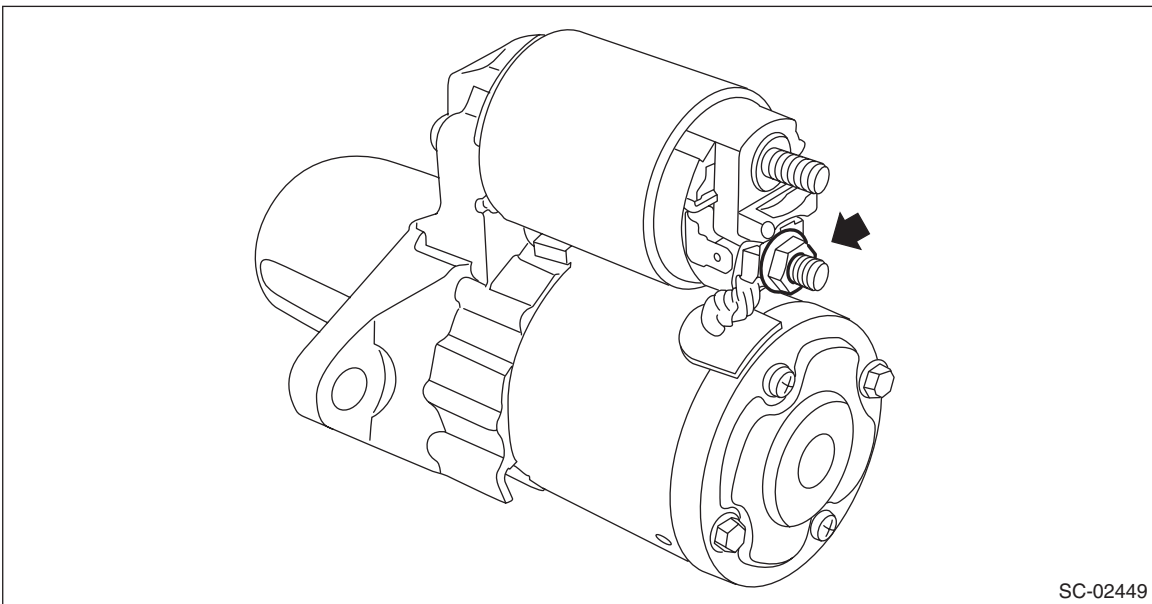
**Tightening torque:**  
**10 N·m (1.0 kgf·m, 7.4 ft·lb)**



SC-02911

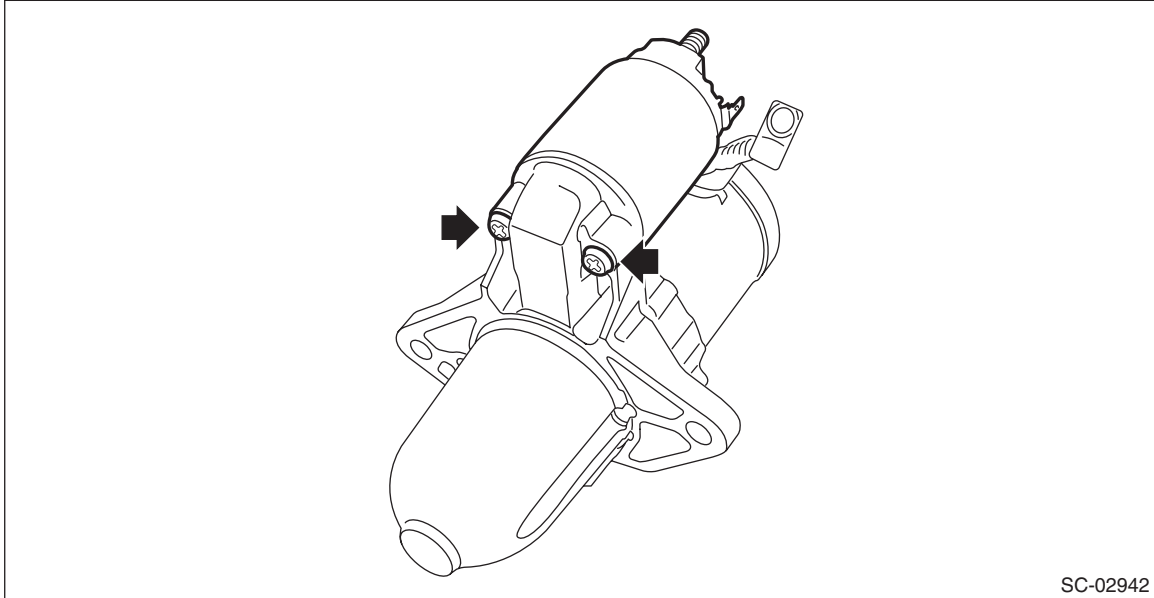
### **C: DISASSEMBLY**

1) Disconnect the terminal M from the magnet switch assembly.

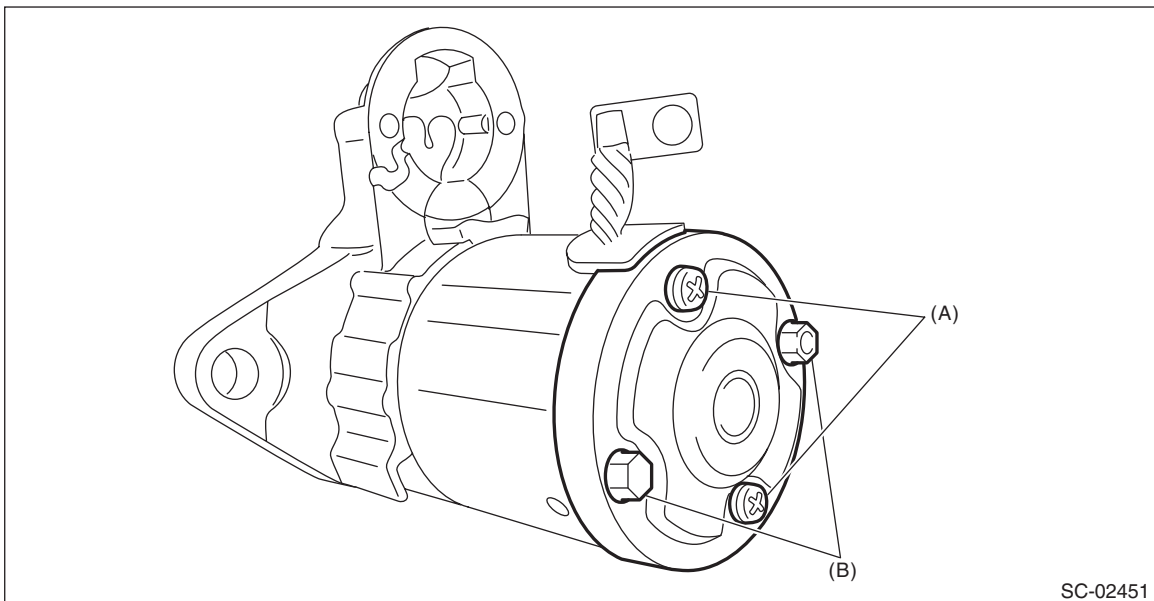


SC-02449

2) Remove the magnet switch assembly from the starter housing assembly.



3) Remove screws (A) of the brush holder assembly, and through bolts (B) on both sides, and remove the starter cover assembly.



# Starter

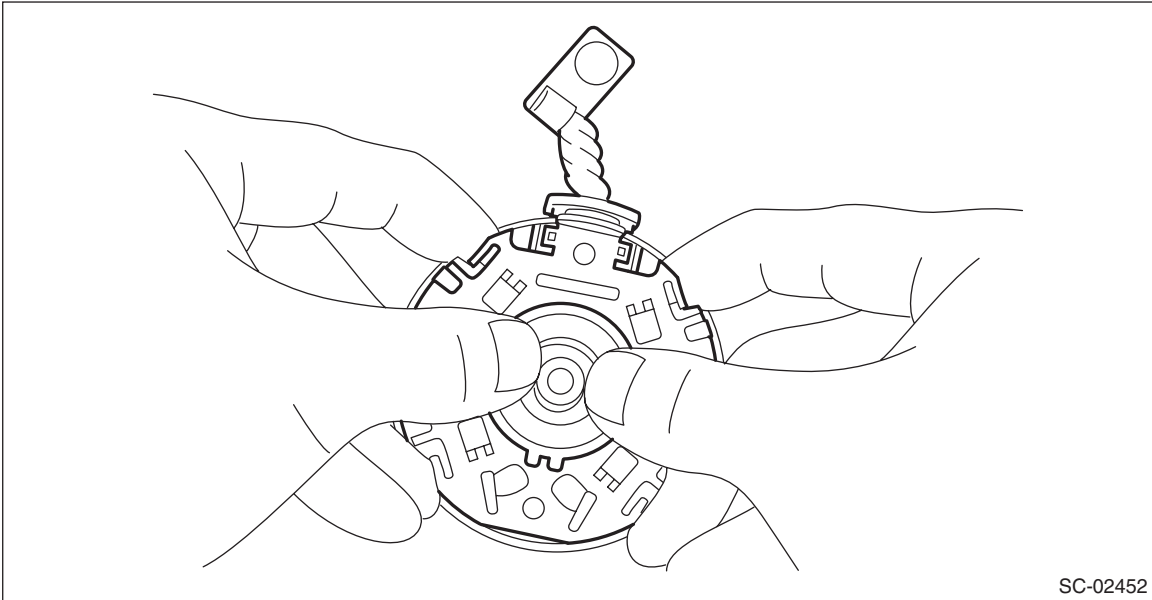
## STARTING/CHARGING SYSTEMS

---

4) Remove the brush holder assembly from the armature assembly.

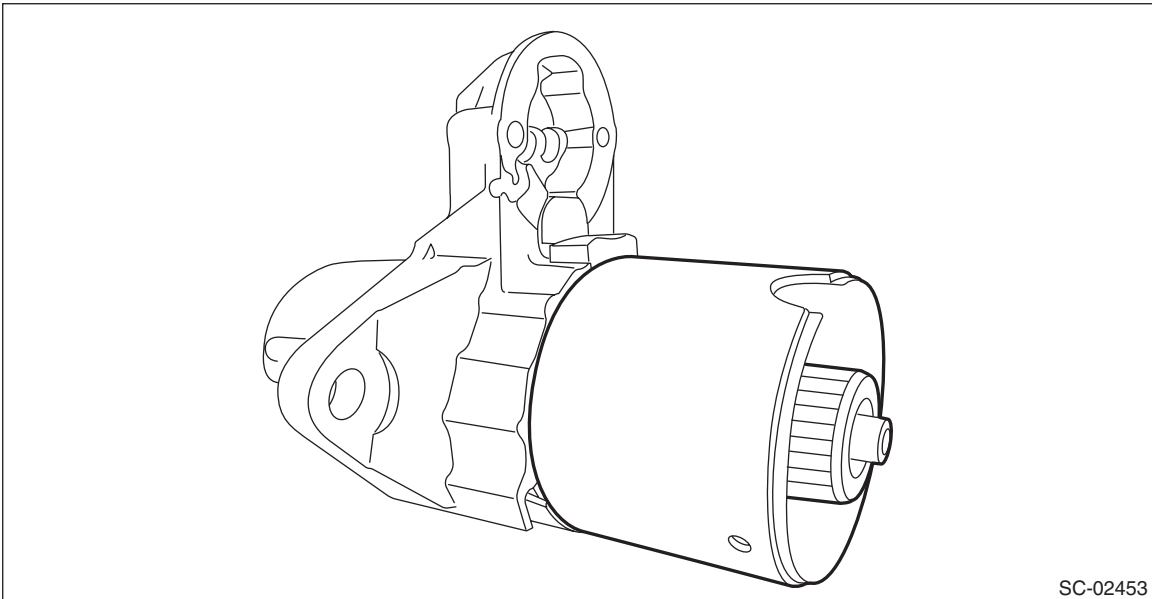
**NOTE:**

Hold the brush with your fingers so that the brush spring does not come flying out.



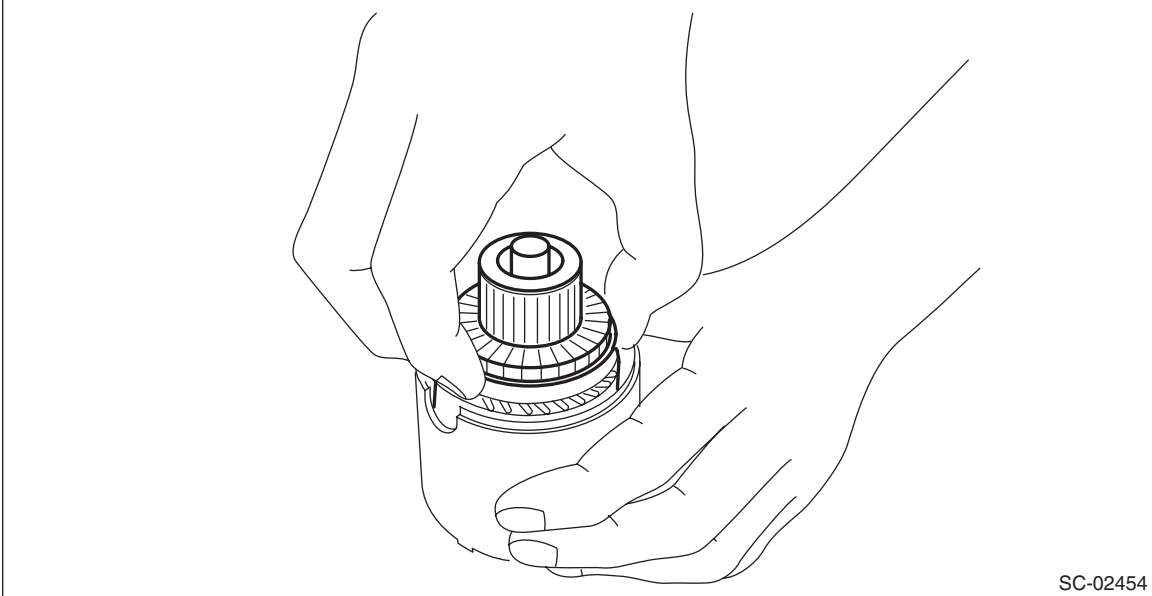
SC-02452

5) Remove the armature assembly and yoke assembly from the starter housing assembly together as a single unit.



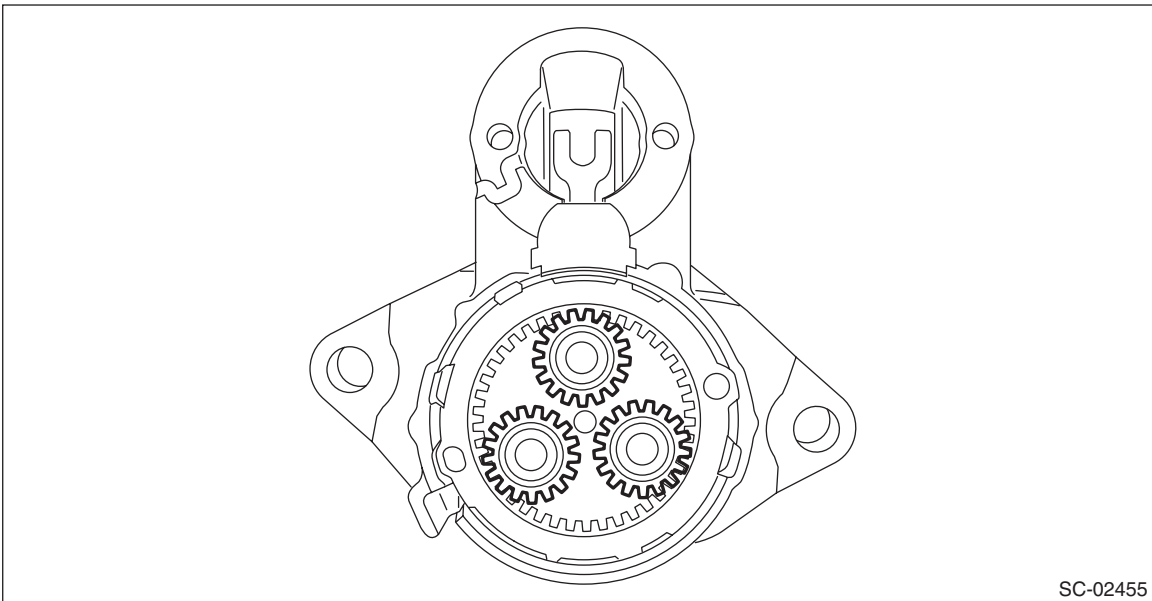
SC-02453

6) Separate the armature assembly and yoke assembly.



SC-02454

7) Remove the pinion gear from the internal gear assembly.

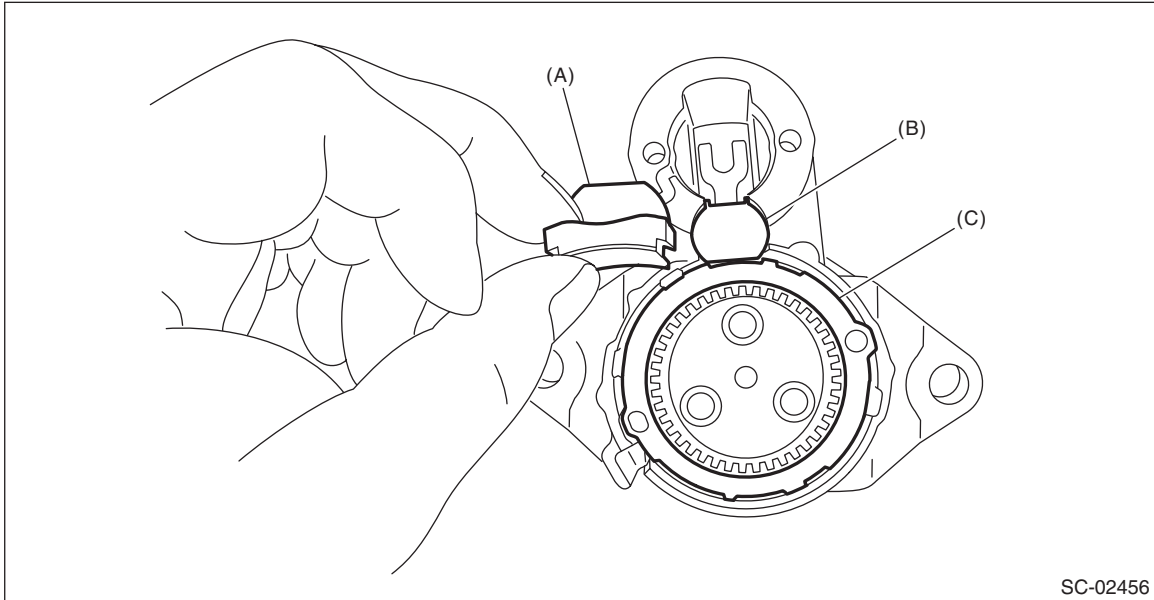


SC-02455

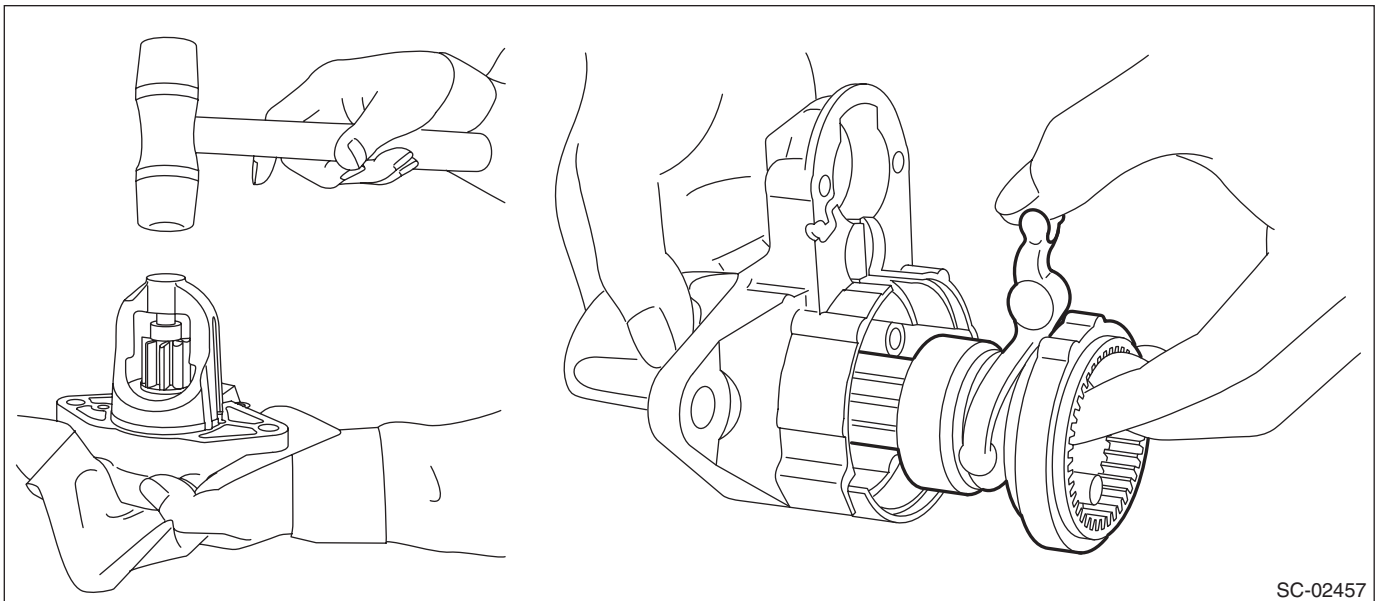
# Starter

## STARTING/CHARGING SYSTEMS

8) Remove seal rubber (A), plate (B), and seal rubber (C).



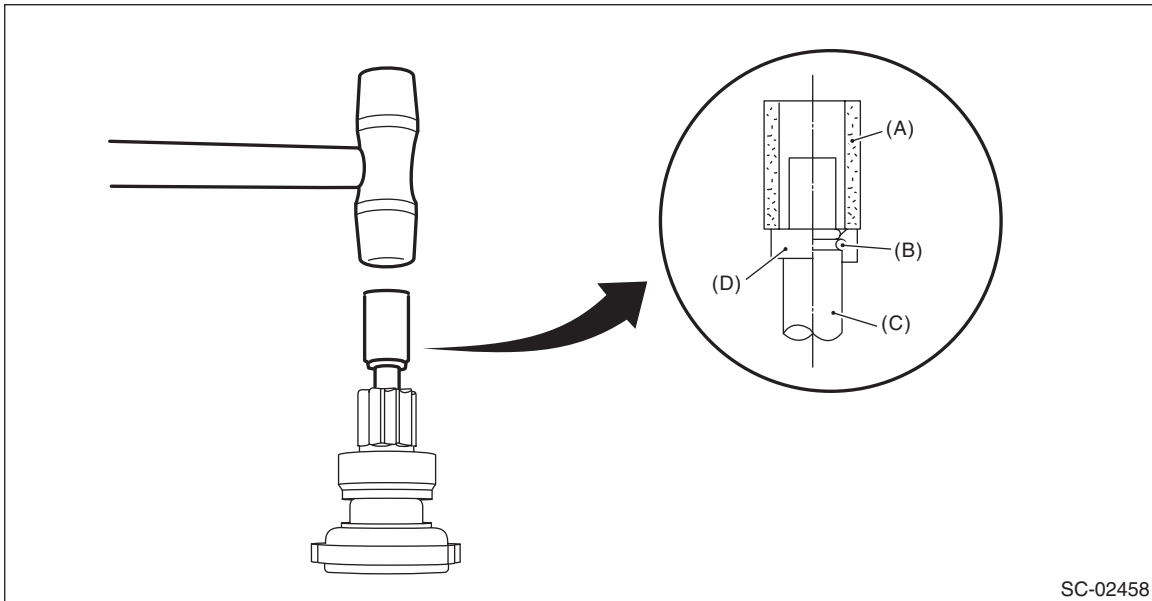
9) Lightly tap the starter housing assembly with a plastic hammer as shown in the figure, and remove the overrunning clutch, internal gear assembly, shaft and shift lever together as one unit.





10) Use the following procedures to remove the overrunning clutch from the shaft.

(1) Use an appropriate tool (such as a fit socket wrench), and remove the stopper from snap ring by lightly tapping the stopper with a plastic hammer.



SC-02458

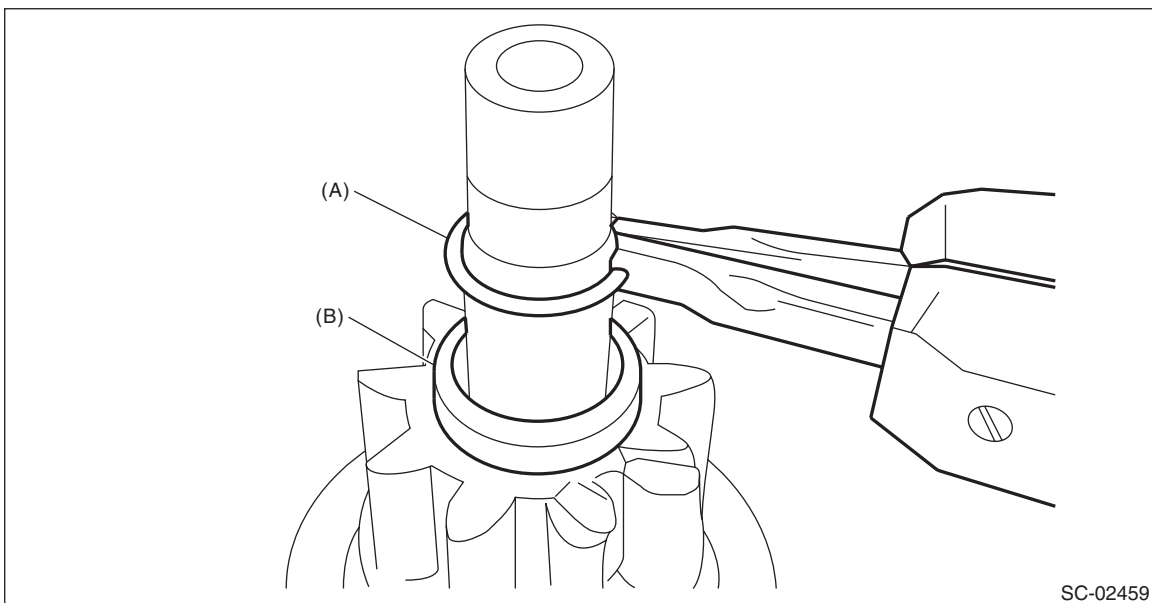
(A) Appropriate tool

(B) Snap ring

(C) Shaft

(D) Stopper

(2) Remove snap ring (A) from the shaft, and remove stopper (B).



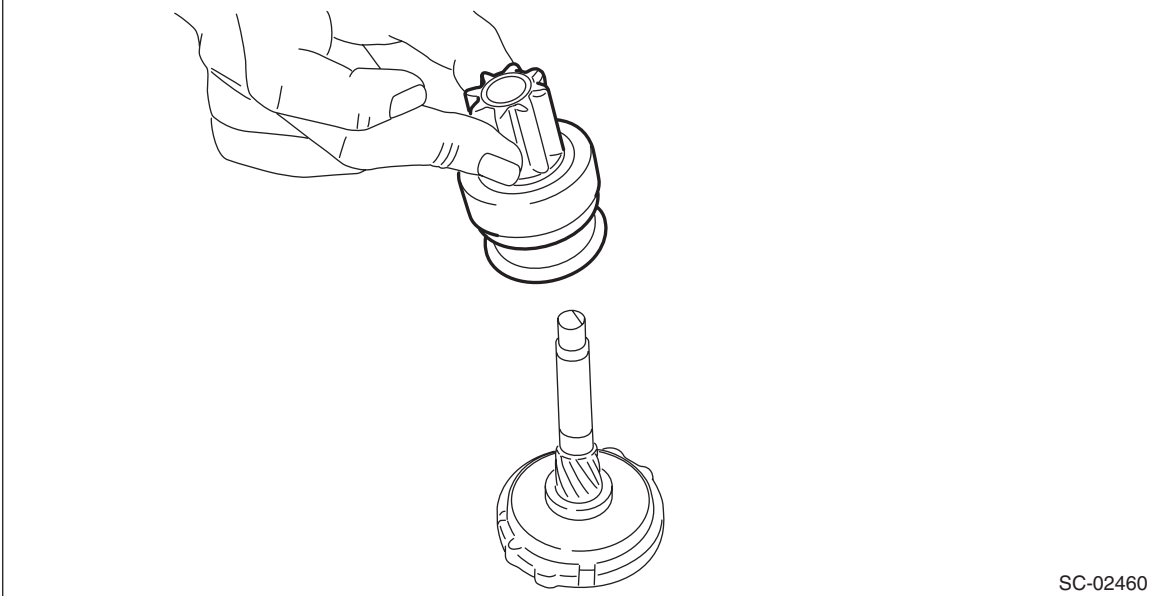
SC-02459

# Starter

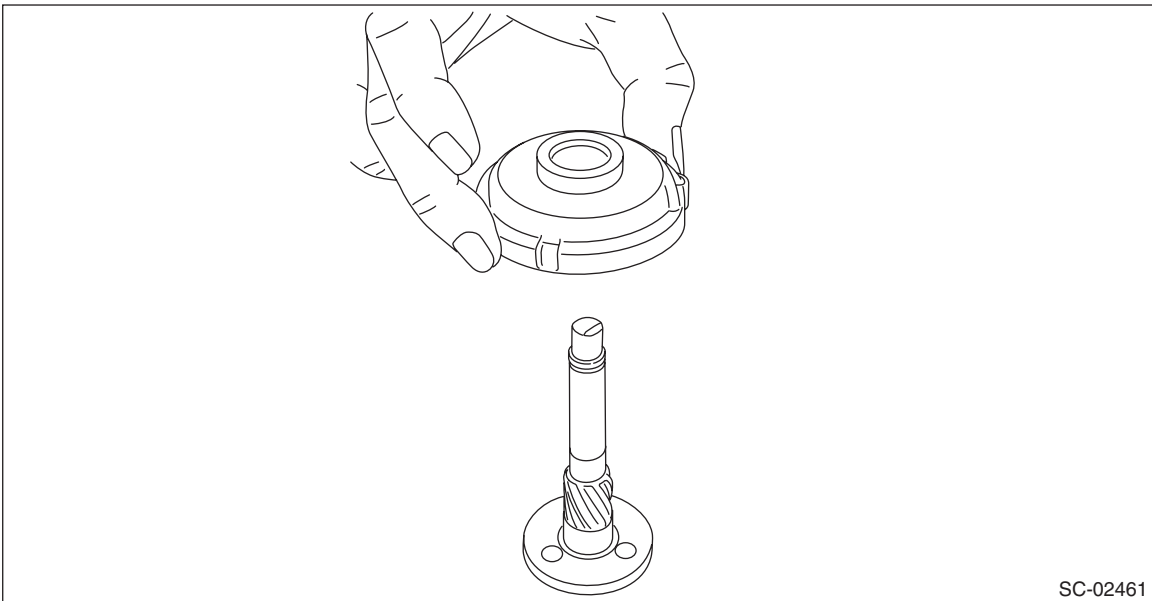
## STARTING/CHARGING SYSTEMS

---

(3) Remove the overrunning clutch from the shaft.



11) Separate the internal gear assembly and shaft.



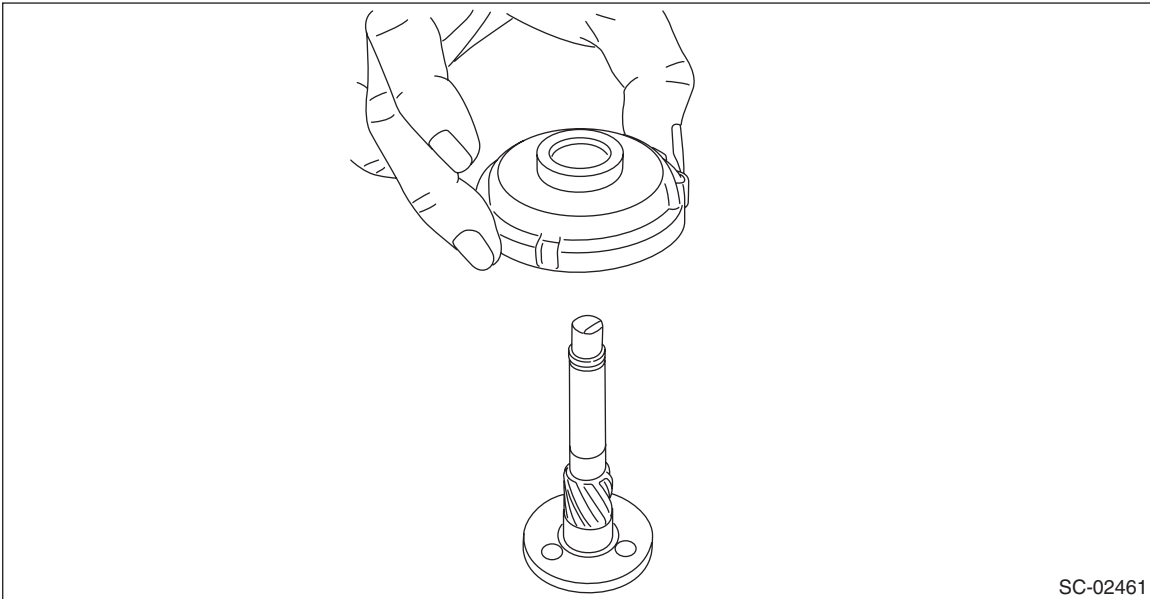
### D: ASSEMBLY

1) Apply grease to the shaft sliding surfaces of the internal gear assembly.

**Grease:**

***Multemp #6129 or equivalent***

2) Assemble the shaft to the internal gear assembly.



SC-02461

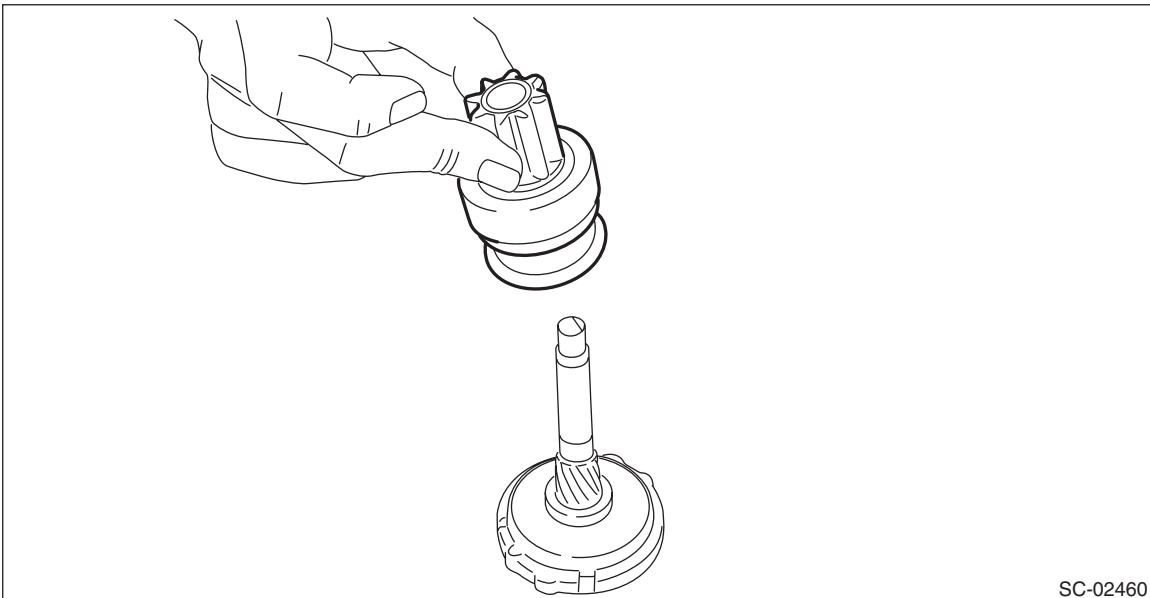
3) Assemble the overrunning clutch as follows:

(1) Apply grease to the spline portion of the shaft.

**Grease:**

***Multemp #6129 or equivalent***

(2) Install the overrunning clutch to shaft.



SC-02460

# Starter

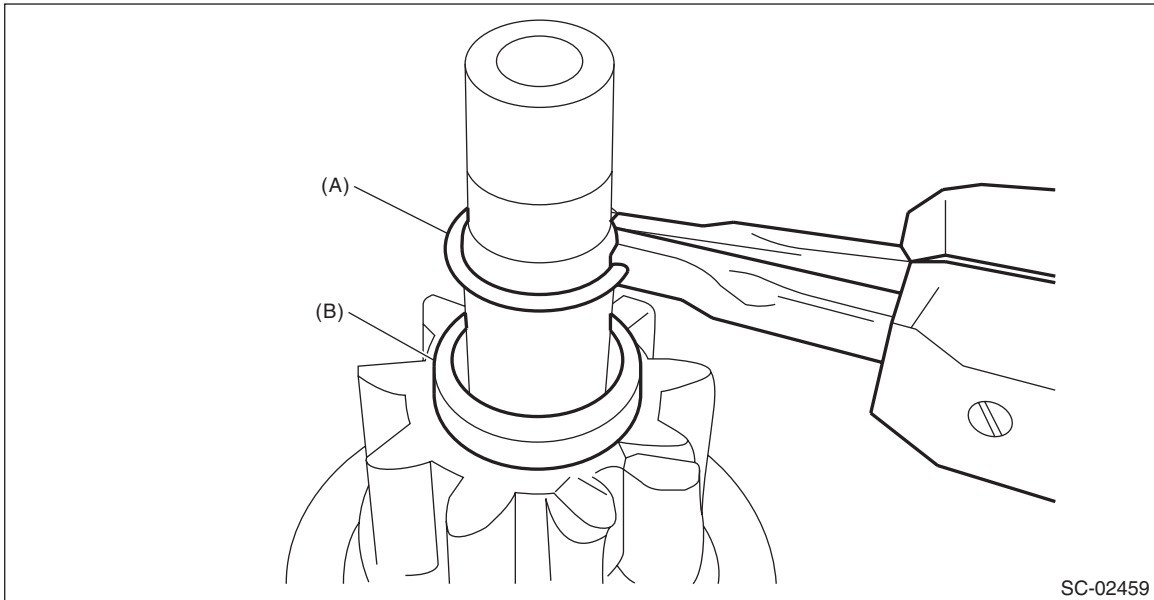
## STARTING/CHARGING SYSTEMS

---

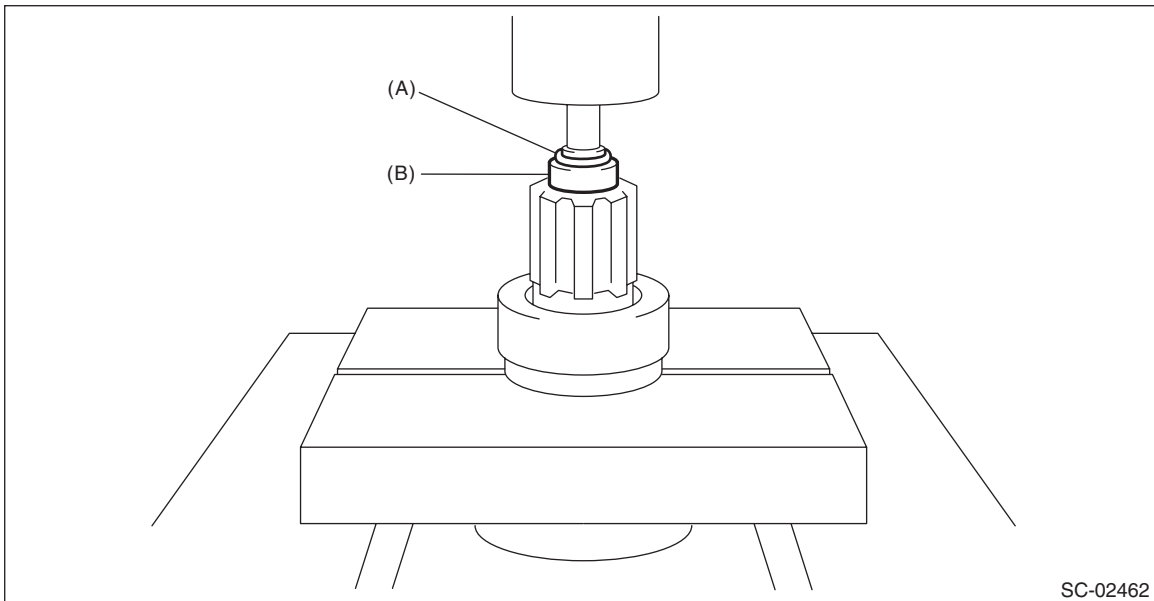
(3) Pass stopper (B) through the shaft assembly, and attach snap ring (A).

**NOTE:**

Use new stoppers and snap rings.



(4) Using a press, pressure fit stopper (B) into snap ring (A).



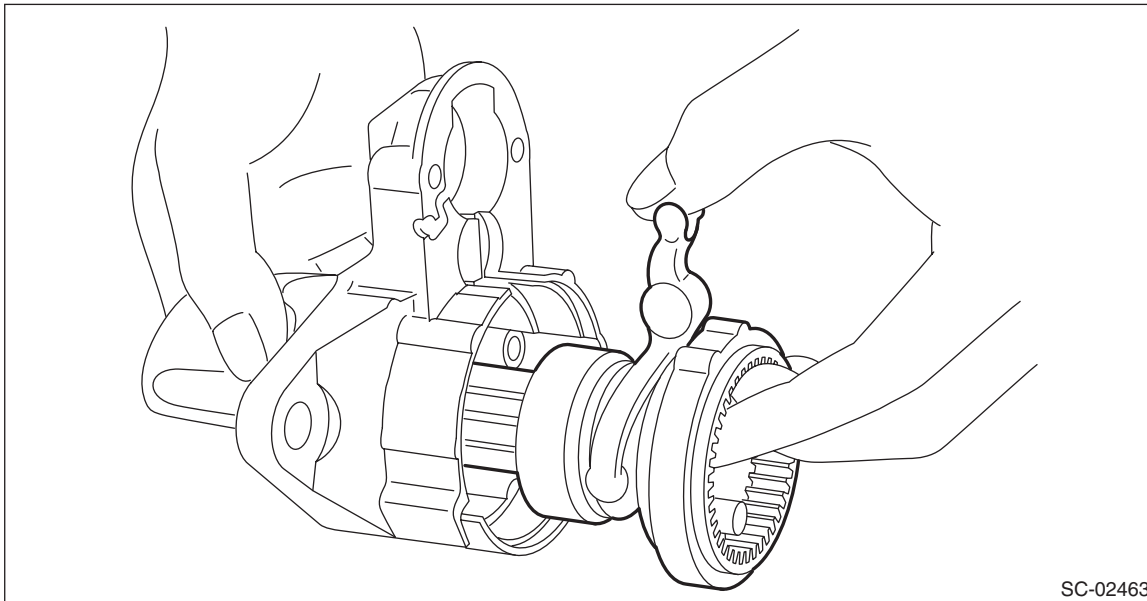
4) Assemble the overrunning clutch, internal gear assembly, shaft and shift lever as a single unit into the starter housing assembly.

**NOTE:**

Apply grease to the moving parts of the shift lever.

**Grease:**

***Multemp #6129 or equivalent***



SC-02463

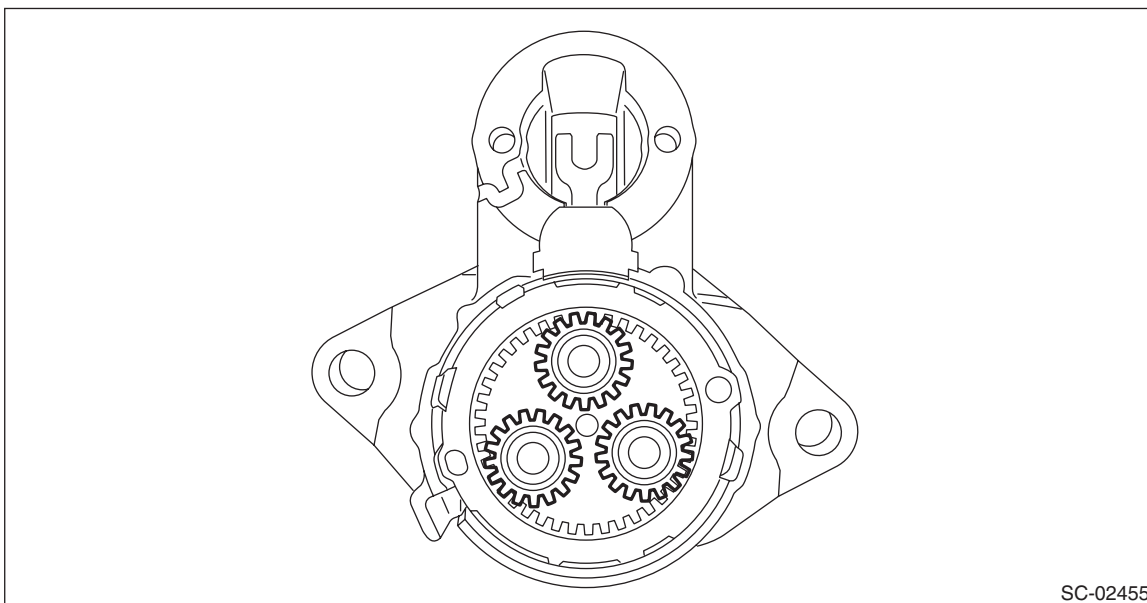
5) Apply grease to the inside of the internal gear assembly and pinion gear, and attach the pinion gear to the internal gear assembly.

**NOTE:**

- Apply grease evenly to the contact surfaces of each gear.
- Be careful that no debris becomes attached.

**Grease:**

***Molykote® AG650 or equivalent***



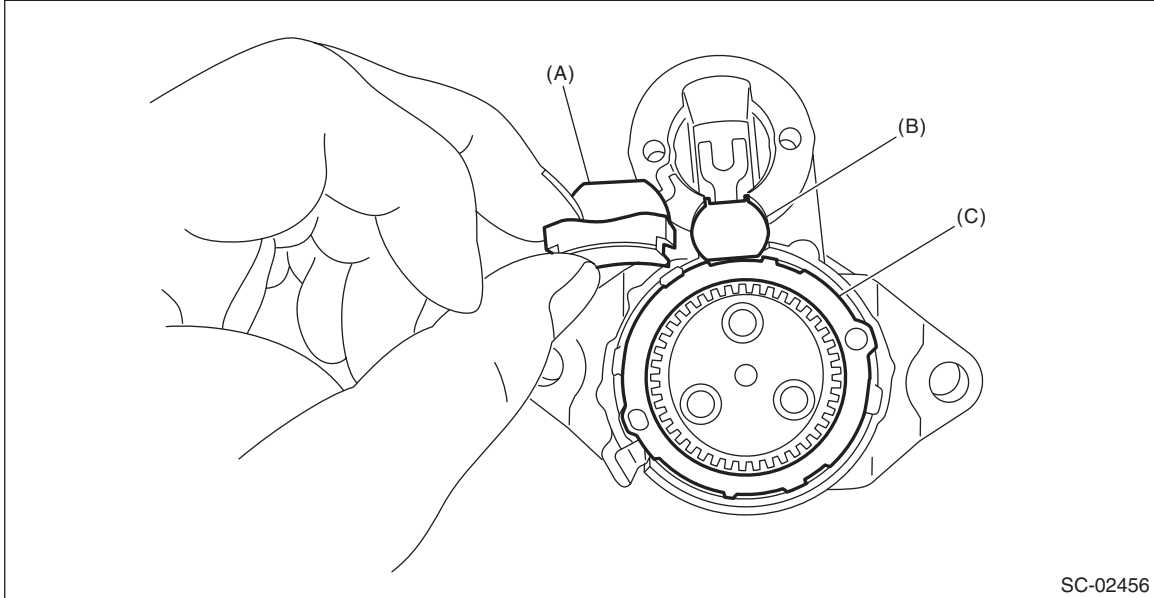
SC-02455

# Starter

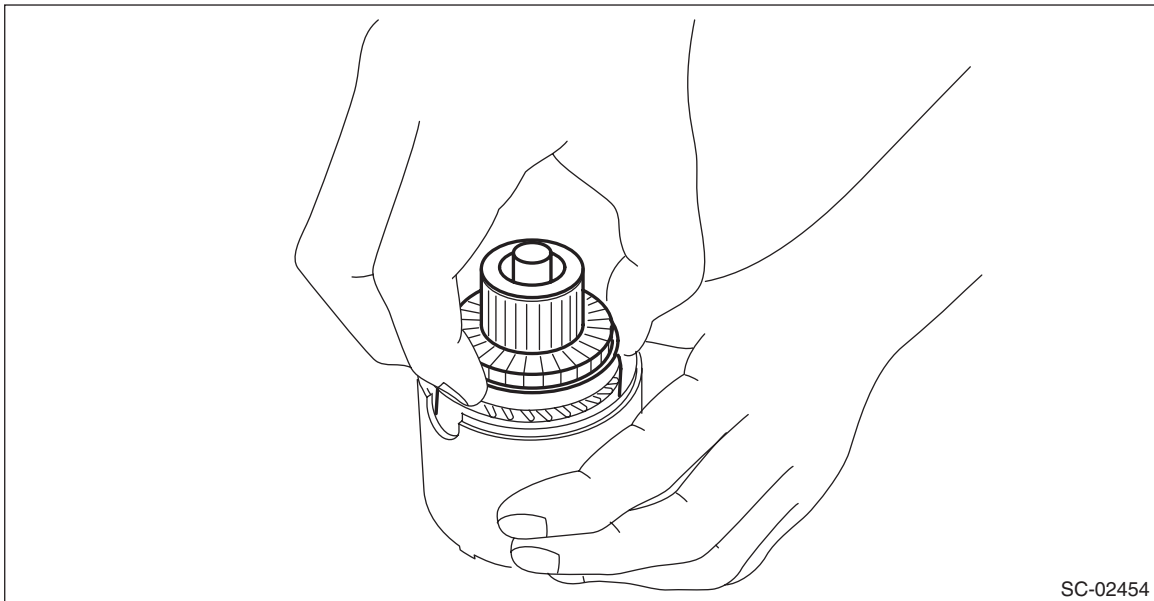
## STARTING/CHARGING SYSTEMS

---

6) Install seal rubber (A), plate (B), and seal rubber (C).



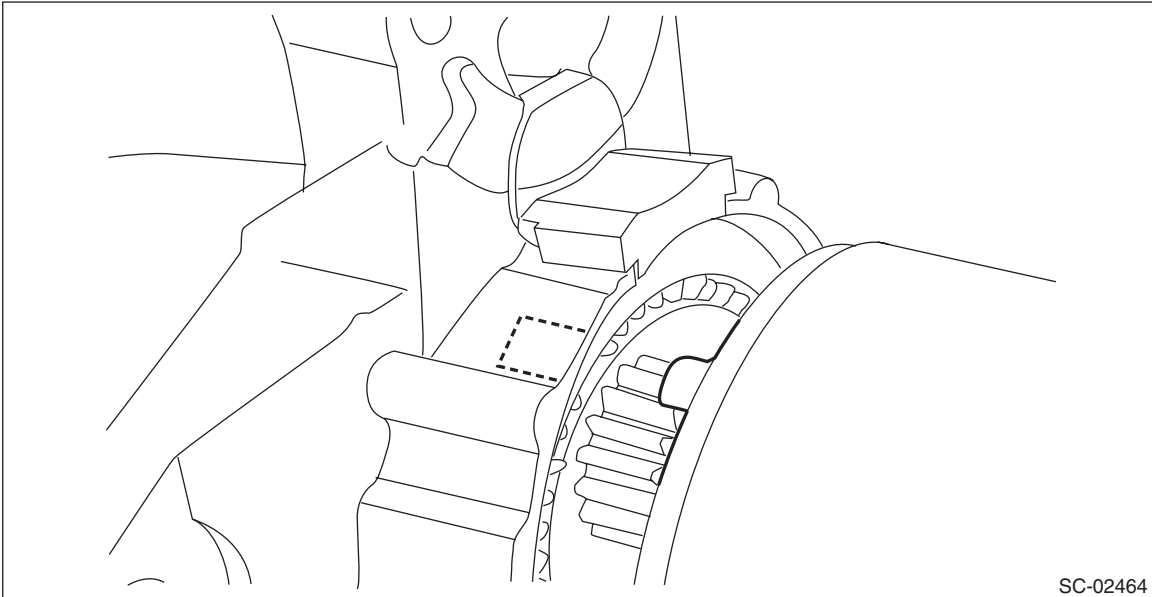
7) Assemble the armature assembly to the yoke assembly.



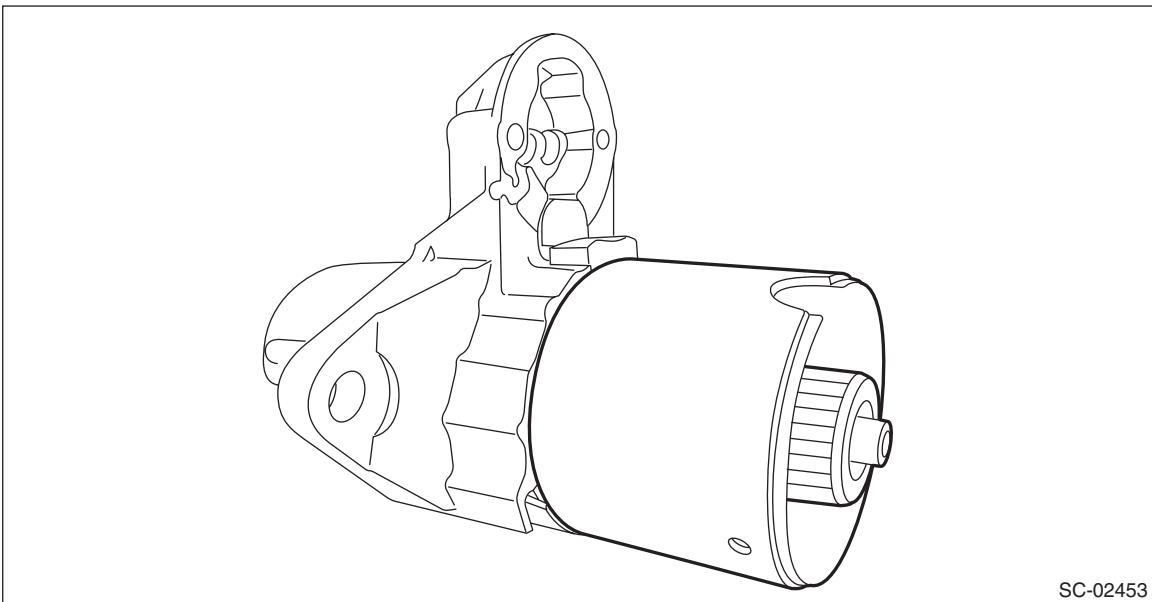
8) Attach the armature assembly and yoke assembly to the starter housing assembly together as a single unit.

**NOTE:**

As shown in the figure, match the protrusion of the yoke assembly to the cut out of the starter housing assembly.



SC-02464



SC-02453

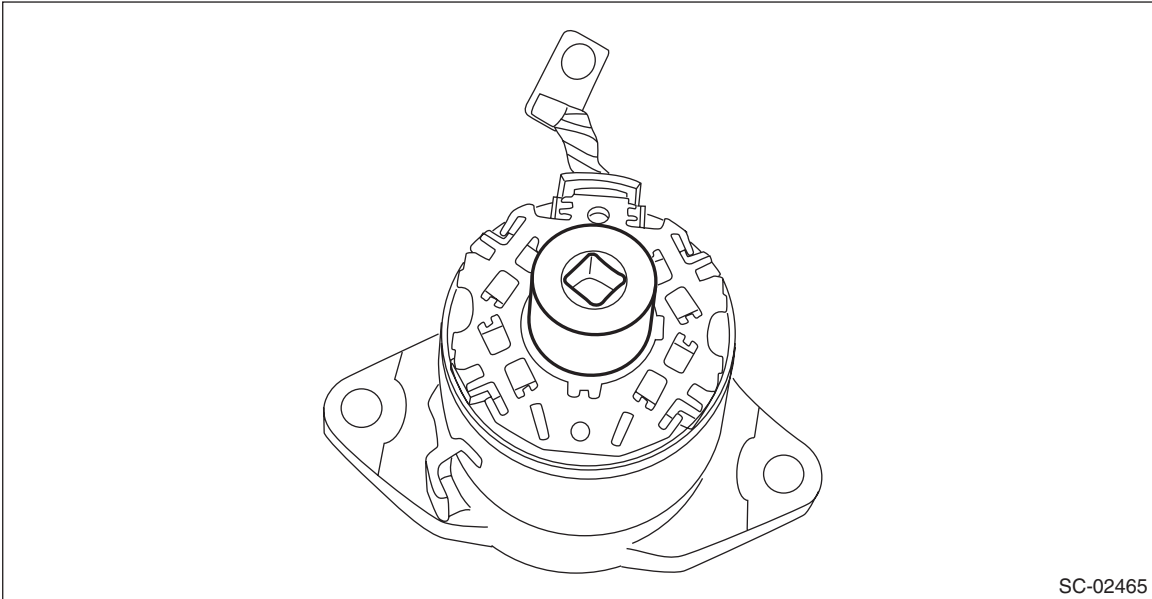
# Starter

## STARTING/CHARGING SYSTEMS

9) Use an appropriate tool (such as correctly sized socket wrenches) and attach the brush holder assembly to the armature assembly.

**NOTE:**

Be careful not to damage the brushes.



10) Secure starter cover assembly to the brush holder assembly with screws (A).

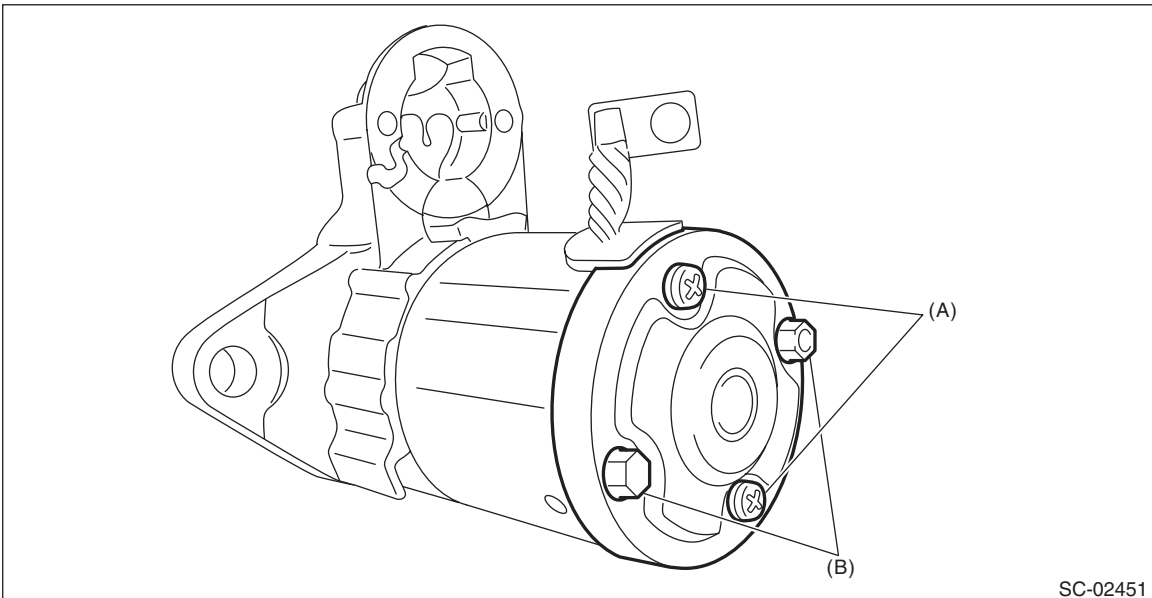
**Tightening torque:**

**1.4 N·m (0.1 kgf-m, 1.0 ft-lb)**

11) Tighten through bolts (B) on both sides.

**Tightening torque:**

**6 N·m (0.6 kgf-m, 4.4 ft-lb)**

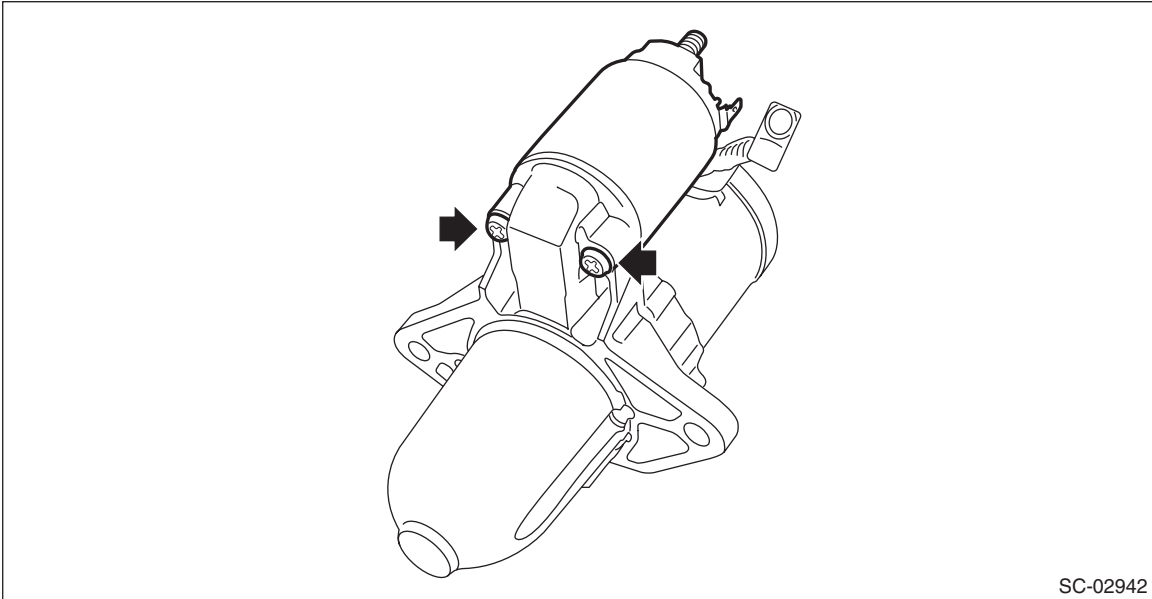




12) Attach the magnet switch assembly to the starter housing assembly.

**Tightening torque:**

**7.5 N·m (0.8 kgf-m, 5.5 ft-lb)**

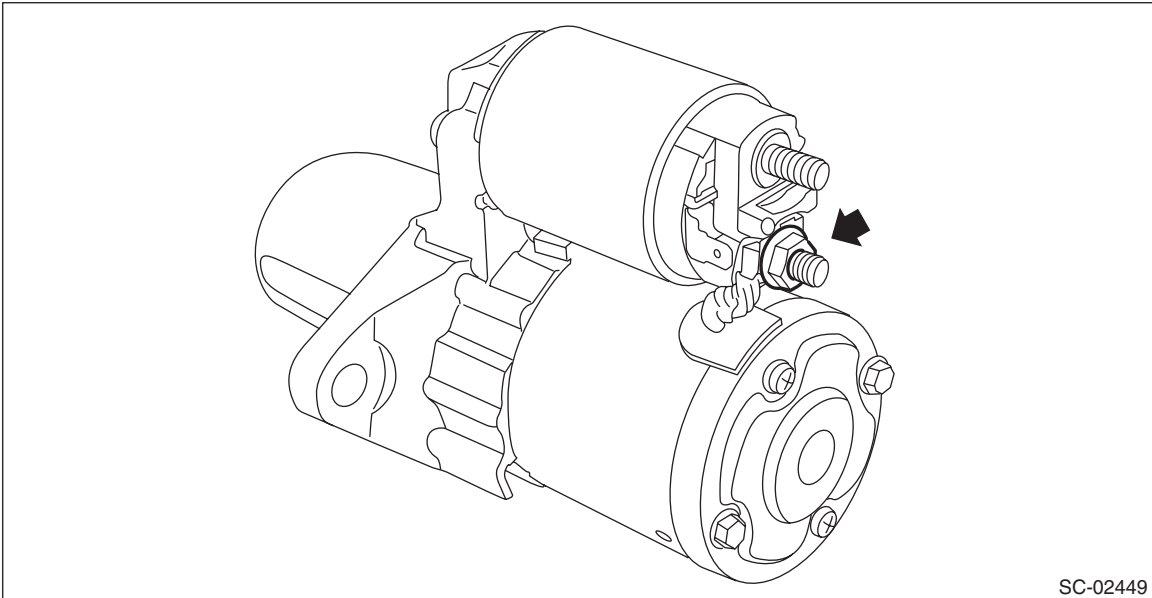


SC-02942

13) Attach the cable to the terminal M of the magnet switch assembly, and secure with nuts.

**Tightening torque:**

**10 N·m (1.0 kgf-m, 7.4 ft-lb)**



SC-02449

# Starter

## STARTING/CHARGING SYSTEMS

### E: INSPECTION

#### 1. ARMATURE

- 1) Check the commutator for signs of seizure or stepped wear caused by roughness of the surface. If there is light wear, use sandpaper to repair.
- 2) Check for runout on the commutator. If excessive, replace the armature.

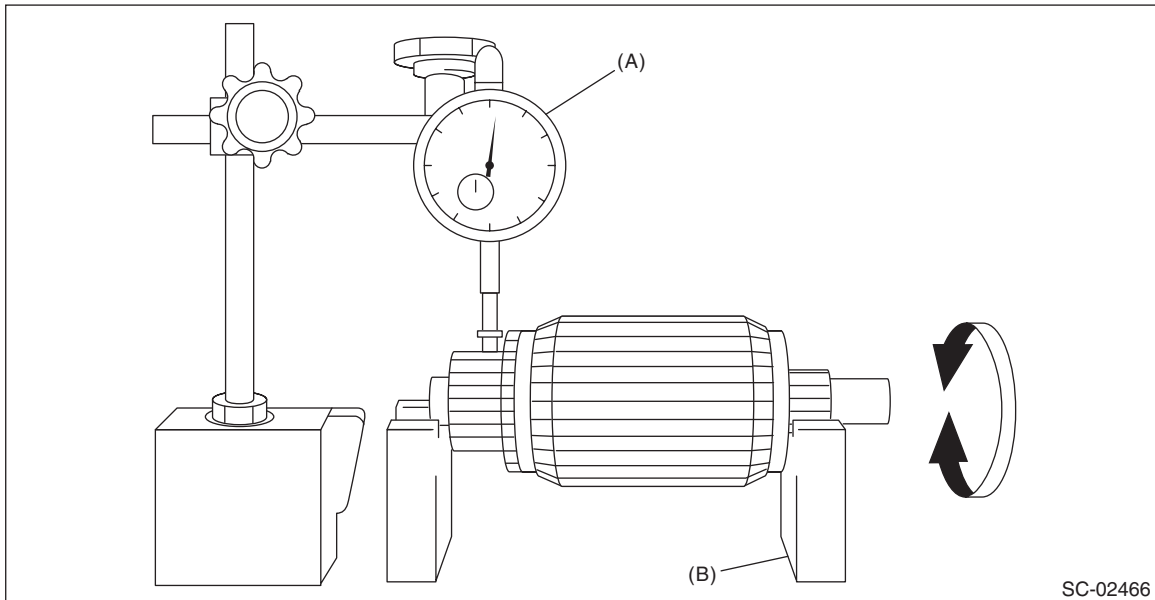
#### **Commutator runout:**

##### **Standard**

**0.05 mm (0.0020 in)**

##### **Limit**

**0.10 mm (0.0039 in)**



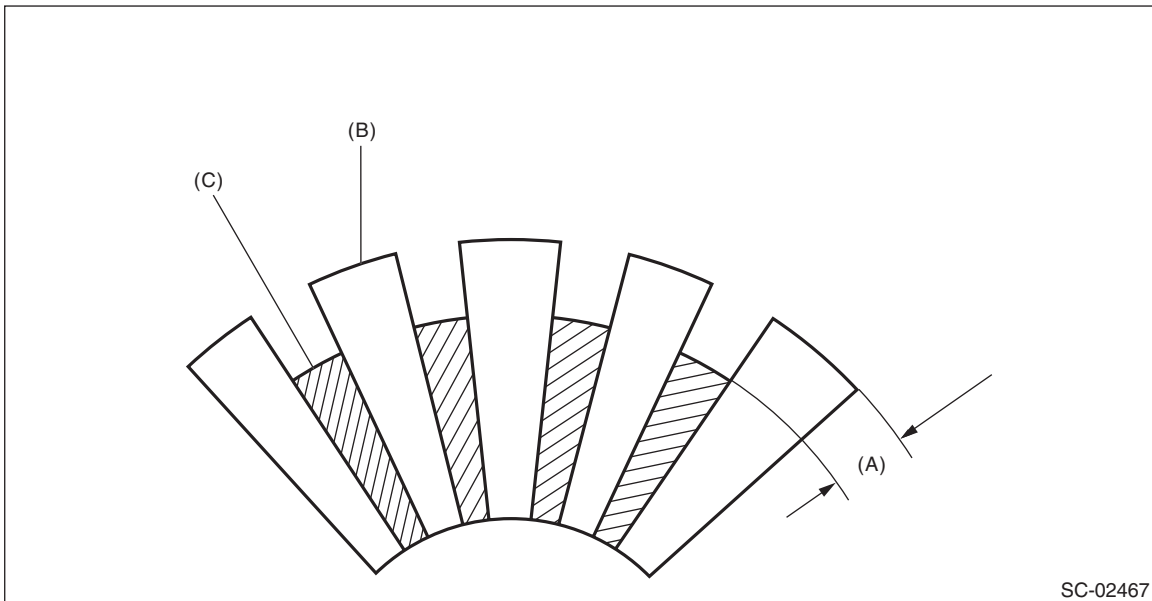
(A) Dial gauge

(B) V-block

SC-02466

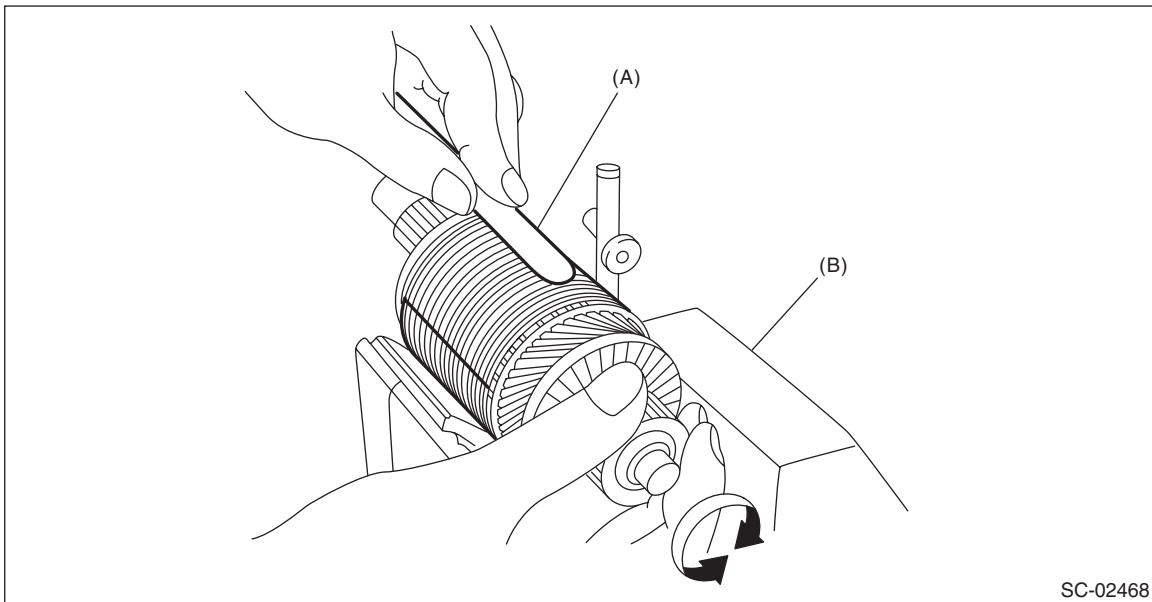
3) Check the depth of the segment mold. If it is not within the standard, replace the armature.

**Depth of segment mold:**  
**Standard**  
**0.50 mm (0.020 in)**



(A) Depth of mold                      (B) Segment                      (C) Mold

4) Place the armature on the growler tester to check for short circuits. While slowly turning the armature, support the steel sheet for the armature core. If the circuit of the armature is shorted, the steel sheet will vibrate, causing it to move towards the core. When the steel sheet has moved or vibrated, replace the armature.



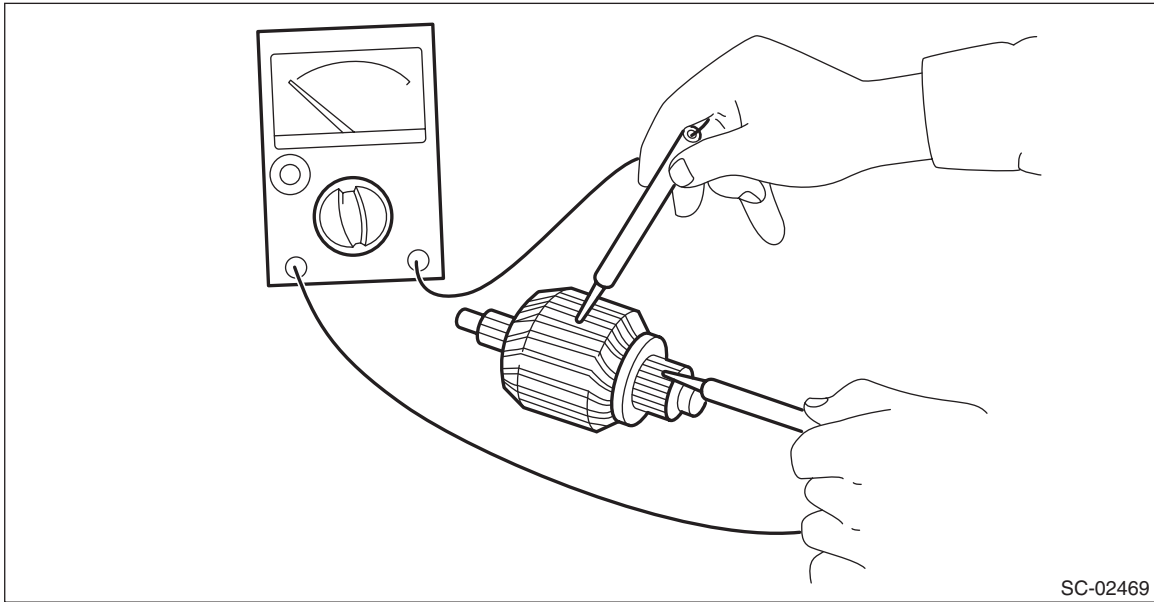
(A) Steel sheet                      (B) Growler tester

# Starter

## STARTING/CHARGING SYSTEMS

---

5) Use a circuit tester to touch the probe of one side to the commutator segment, and the other probe to the shaft. If there is continuity, replace the armature.



### 2. YOKE

Make sure that the pole is set at the predetermined position.

### 3. OVERRUNNING CLUTCH

Inspect the pinion, and if there is any wear or damage, replace the overrunning clutch. Also, check that the pinion rotates counterclockwise smoothly and does not rotate clockwise. If there is any fault, replace the overrunning clutch.

#### **CAUTION:**

**To prevent spilling of grease, do not clean the overrunning clutch with oil.**

## 4. BRUSH AND BRUSH HOLDER

- 1) Visually check the brush. If there is any abnormal wear or cracks, replace the brush.
- 2) Measure the length of the brush. If it exceeds service limits, replace the brush.

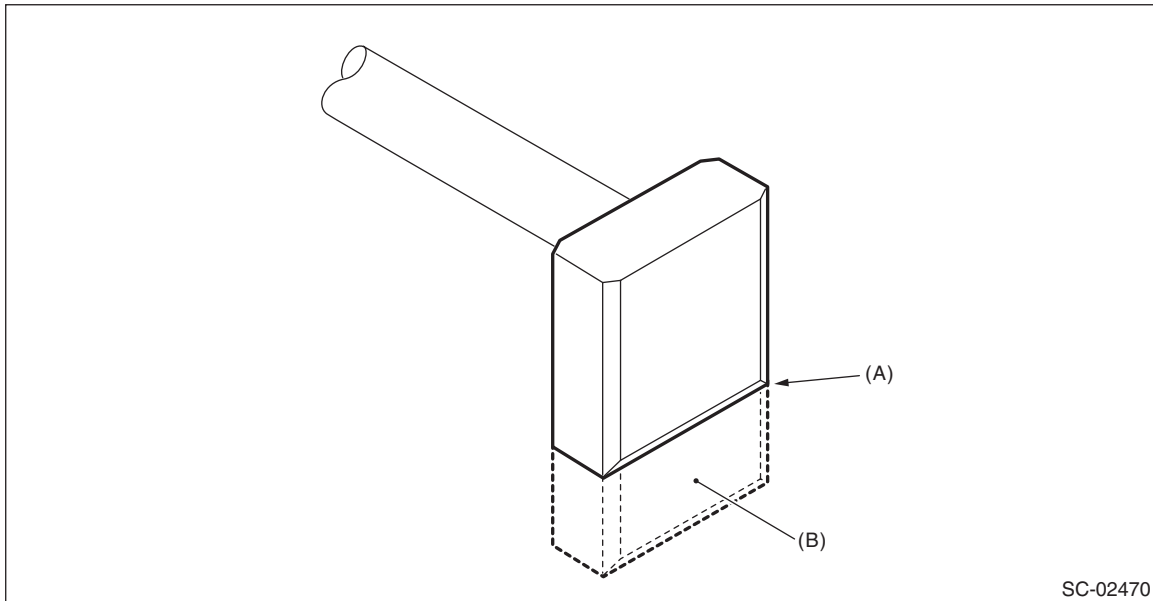
### **Brush length:**

#### **Standard**

**12.3 mm (0.484 in)**

#### **Limit**

**7.0 mm (0.276 in)**



(A) Service limit line

(B) Brush

- 3) Check that the brush moves smoothly in the brush holder.
- 4) Measure the brush spring force with a spring scale. Replace the brush holder if below the service limit.

### **Brush spring force:**

#### **Standard**

**15.9 — 19.5 N (1.62 — 1.99 kgf, 3.57 — 4.38 lbf) (when new)**

#### **Limit**

**2.5 N (0.25 kgf, 0.56 lbf)**

# Starter

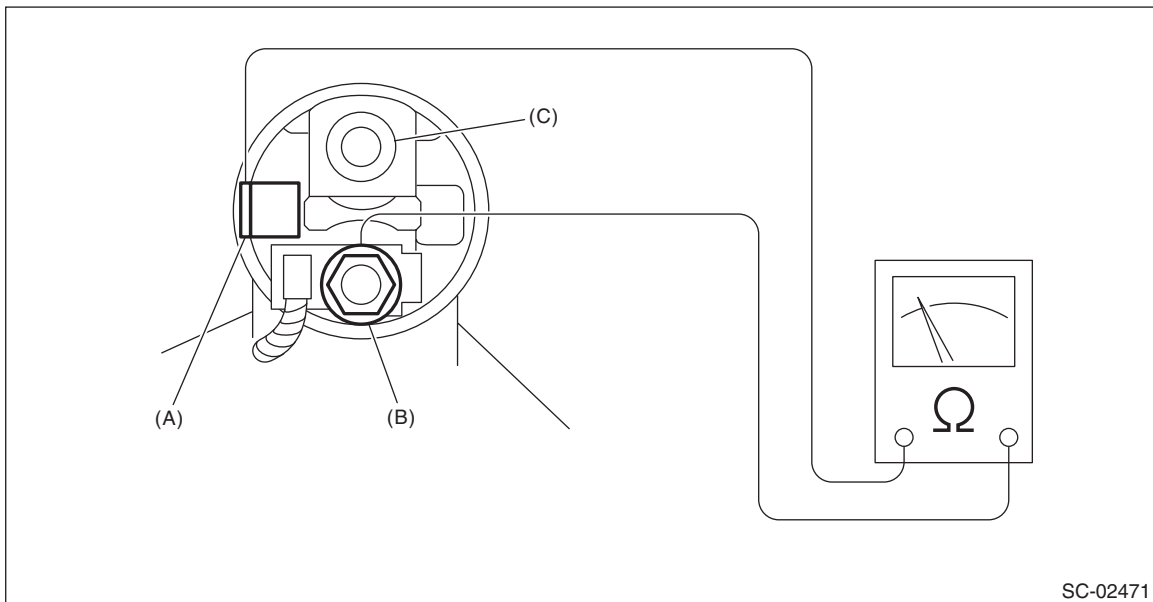
## STARTING/CHARGING SYSTEMS

### 5. SWITCH ASSEMBLY

Using a circuit tester (set to “ohm”), check that there is continuity between terminals S and M, and between terminal S and ground. Also check to be sure there is no continuity between terminal M and B.

#### **Resistance between switch assembly terminals:**

Terminals	Standard
S — M	1 $\Omega$ or less
S — Ground	1 $\Omega$ or less
M — B	1 M $\Omega$ or more



(A) Terminal S

(B) Terminal M

(C) Terminal B

### 6. SWITCH ASSEMBLY OPERATION

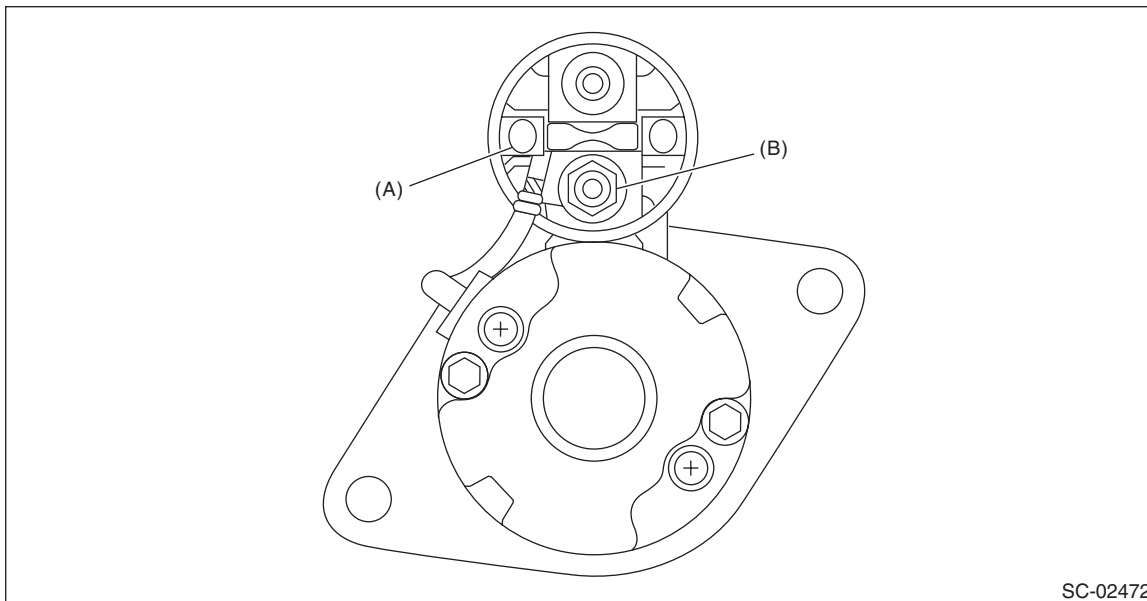
1) Using a lead wire, connect the switch assembly terminal S to the positive terminal of battery, and the starter body to the ground terminal of battery. The pinion should be forced endwise on shaft.

#### NOTE:

With the pinion forced endwise on shaft, starter motor can sometimes rotate because current flows, through pull-in coil, to motor. This is not a problem.

2) Disconnect the connector from terminal M. Then using a lead wire, connect the positive terminal of battery and terminal M, and ground terminal to starter body.

In this test set up, the pinion should return to its original position even when it is pulled out with a screwdriver.



SC-02472

(A) Terminal S

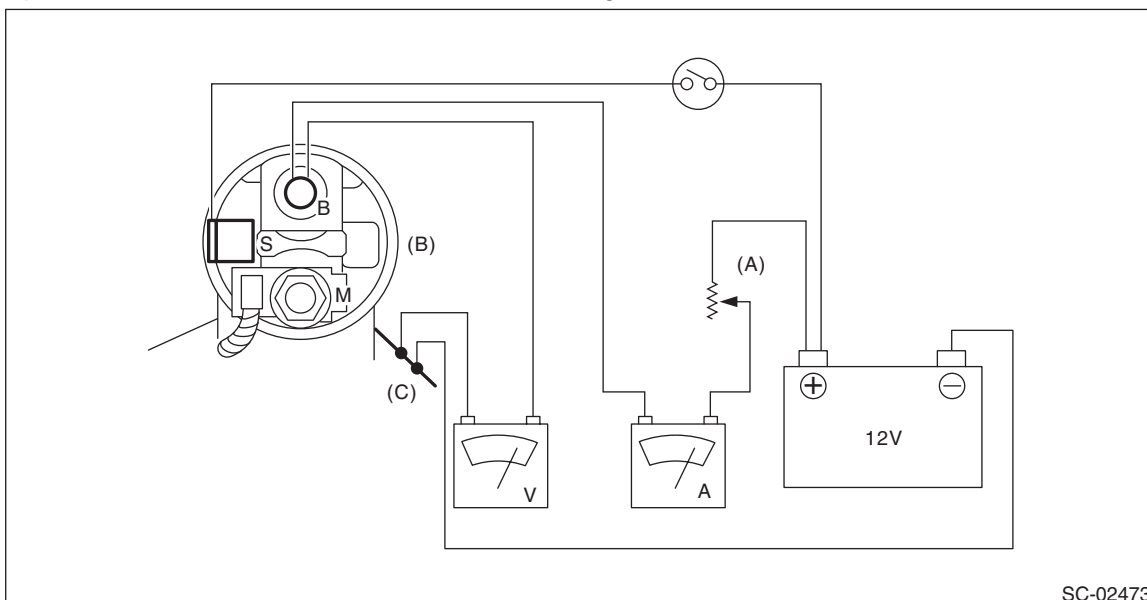
(B) Terminal M

## 7. PERFORMANCE TEST

The starter should be submitted to performance tests whenever it has been overhauled, to assure its satisfactory performance when installed on the engine.

Three performance tests, no-load test, load test, and lock test, are presented here; however, if the load test and lock test cannot be performed, carry out at least the no-load test.

For these performance tests, use the circuit shown in figure.



SC-02473

(A) Variable resistance

(B) Magnet switch

(C) Starter body

# Starter

## STARTING/CHARGING SYSTEMS

---

1) Adjust the variable resistance with the switch on until the voltage is 11 V, and read the value displayed by the ammeter to measure starter speed. Compare these values with the standard.

### **No-load test (standard):**

#### **Voltage/Current**

##### **CVT model**

**Max. 11 V/90 A or less**

##### **MT model**

**Max. 11 V/95 A or less**

#### **Rotating speed**

##### **CVT model**

**2,370 rpm or more**

##### **MT model**

**2,500 rpm or more**

2) Apply the specified braking torque to starter. The condition is normal if the current draw and starter speed are within standard.

### **Load test (standard):**

#### **Voltage/Load**

##### **CVT model**

**7.5 V/10.65 N·m (1.1 kgf-m, 7.8 ft-lb)**

##### **MT model**

**7.5 V/8.84 N·m (0.9 kgf-m, 6.5 ft-lb)**

#### **Current/Speed**

##### **CVT model**

**300 A/840 rpm or more**

##### **MT model**

**300 A/870 rpm or more**

3) With the starter stalled, or not rotating, measure the torque developed and current draw when the voltage is adjusted to standard voltage.

### **Lock test (standard):**

#### **Voltage/Current**

##### **CVT model**

**4 V/780 A or less**

##### **MT model**

**4 V/680 A or less**

#### **Torque**

##### **CVT model**

**20 N·m (2.0 kgf-m, 14.8 ft-lb) or more**

##### **MT model**

**17 N·m (1.7 kgf-m, 12.5 ft-lb) or more**

## **8. OTHER INSPECTIONS**

Check that the starter does not have deformation, cracks and any other damage.